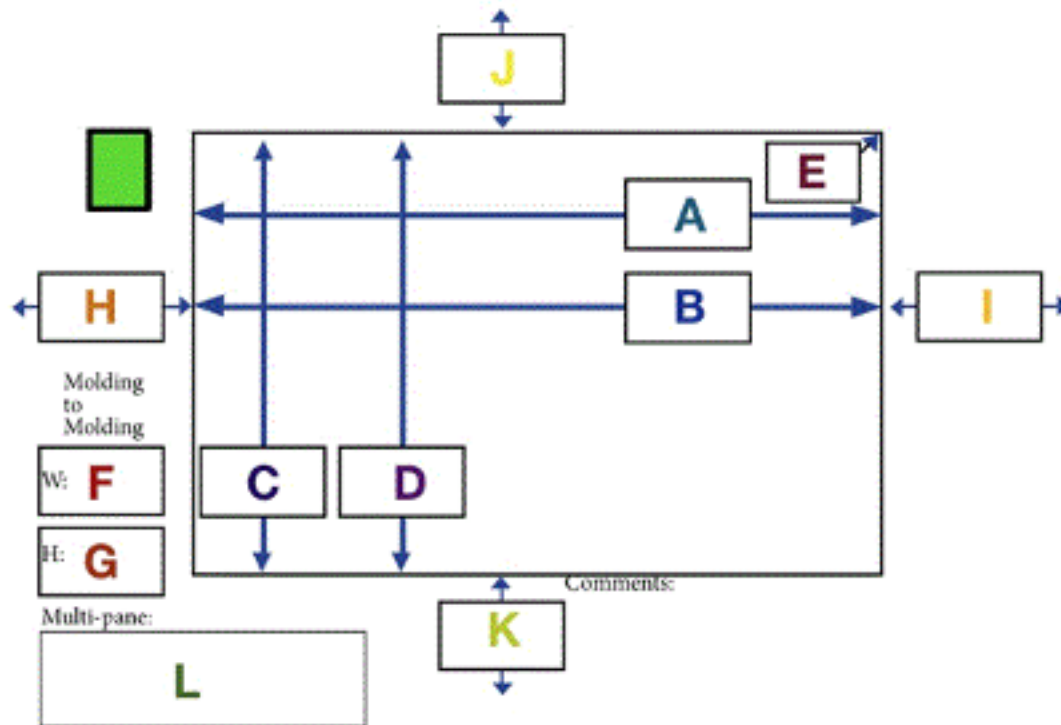


The KEY to taking Universal Measurements

SMITH & NOBLE



- A** - top width
- B** - smallest width
- C** - tallest height
- D** - shortest height
- E** - depth
- F** - width molding to molding
- G** - height molding to molding
- H** - width to left obstruction
- I** - width to right obstruction
- J** - height to top obstruction
- K** - height to bottom obstruction
- L** - use to record multi pane widths



Keep yourself organized by using letters to label your windows, record that here.

**Tip when filling out this sheet:
Measure inside, outside / left to right**